

THE NEW IS 300h





THE NEW IS 300h

Introduction	04 - 07
Driving Dynamics	08 - 09
L-Finesse	10 - 11
Interior Luxury	12 - 15
Enhanced Control	16 - 17
Full Hybrid	18 - 21
F SPORT	22 - 23
Advanced Technology	24 - 25
Innovative Safety	26 - 27
Lexus Quality	28 - 29
Environmental Leadership	30 - 31
Technology & Specifications	32 - 63



“FOR THE NEW IS, MY TEAM FOCUSED ON CREATING THE AGILE AND RESPONSIVE FEEL WE WANT DRIVERS TO EXPERIENCE ON THE ROAD.”

Junichi Furuyama, IS Chief Engineer

AMAZING IN MOTION

Outside, striking design, LED lights, and a bold Lexus ‘spindle grille’. Inside, a driver-focused sports cockpit with state-of-the-art multimedia and driver support systems. On the road, the new IS 300h is a beautifully balanced sedan to drive, but also a wonderfully comfortable car for passengers to travel in. To fine-tune handling, and ensure maximum driving pleasure, we extensively tested this new rear-wheel drive sedan on the racetrack. Proving – quite literally – that we don’t stop until we create amazing.



BOLDLY DIFFERENT

BREAKTHROUGH FULL HYBRID POWER, ZERO EMISSIONS CAPABILITY, AVAILABLE AS DYNAMIC IS 300h F SPORT.

Introducing Full Hybrid technology to the IS for the first time, the new IS 300h is powered by our very latest Lexus Hybrid Drive. This delivers 223 DIN hp of power, yet emits just 99 g/km* of CO₂. Available as a dynamic F SPORT version, the new IS 300h delivers a unique driving experience. You'll sense this behind the wheel, as you interact with the car using paddle shifts, innovative electrostatic air conditioning controls, or the F SPORT's stunning instruments that were inspired by the iconic LFA supercar.

* For the Eco grade.





PRECISION MOVEMENT

**BEHIND THE WHEEL YOU'LL ENJOY AGILE
HANDLING, WITH WORLD-CLASS LEXUS
SMOOTHNESS AND COMFORT.**

The new IS 300h is the result of relentless attention to detail: for a more engaging drive, we've lowered the driver's seat hip point by 20 mm and adjusted the steering wheel pitch by 3°. Driving precision has been improved with a more rigid chassis, built using breakthrough adhesive and laser screw welding technology. New multi-link rear suspension gives greater grip and improved handling. Factor in innovative aerodynamics, and you have a car that is not only highly responsive, but one that's incredibly quiet too.

DESIGN STATEMENT

THE IS 300h WAS CREATED USING A BOLD NEW VERSION OF OUR L-FINESSE DESIGN LANGUAGE, AND FEATURES A DYNAMIC 'SPINDLE GRILLE'.

Centre of attention on this stunning new sedan is the boldest 'spindle grille' yet seen on a Lexus. LED headlights and L-shaped LED daytime running lights complete the purposeful look. In profile, the car's athletic stance is complemented by a low bonnet, side 'kick-up' line and long coupé roofline, giving dynamic presence and exceptional roominess. Excellent aerodynamics result from details like extra smooth roof joints and closable radiator vents. Winglets on the rear lights and front door pillars increase stability and also reduce wind noise.







PURE LEXUS

IMPECCABLY FINISHED AT OUR AWARD-WINNING TAHARA PLANT, THE NEW IS 300h OFFERS PEERLESS COMFORT FOR ALL.

Relaxing in sumptuous leather seats, you'll enjoy exquisite Lexus details like wood inlays and a beautifully finished central analogue clock. Built on the same line as the LS flagship sedan, the entire IS 300h production is overseen by Lexus 'Takumi' craftspeople. For a substantial increase in rear passenger legroom, and a smooth ride, the car's wheelbase has been extended by 70 mm. The rear seats also fold flat 60:40 - ideal for transporting bulkier objects.



THE NEW IS ENHANCED CONTROL

DRIVE WITH INTELLIGENCE

SEAMLESS SMARTPHONE INTERFACE, NEXT-GENERATION NAVIGATION, AND BREAKTHROUGH DRIVER SUPPORT SYSTEMS.

With next-generation multimedia in the new IS 300h, you can access Connected Services like Google Street View[®], calculate the most ecological route or enjoy the 15-speaker Mark Levinson[®] Premium Surround system. Or, with the brush of a fingertip, use innovative electrostatic controls to adjust the air conditioning. The IS 300h supports your driving skills too: with Lane Departure Alert, Blind Spot Monitor and Rear Cross Traffic Alert to detect vehicles behind, while Pre-Crash Safety uses radar to identify danger ahead and even applies the brakes if necessary.





THE NEW IS FULL HYBRID

IS 300h



THE NEW IS 300h DELIVERS 223 DIN hp OF FULL HYBRID POWER, YET EMITS JUST 99 g/km* OF CO₂.

Powered by second-generation Lexus Hybrid Drive, the IS 300h intelligently combines an advanced 2.5-litre direct-injection petrol engine with a high-output electric motor, while innovative Active Sound Control delivers a sophisticated engine note. The IS 300h is dynamic to drive, yet consumes a mere 4.3 l/100 km* of fuel. You can also select EV (Electric Vehicle) mode to progress in near silence, using no petrol and emitting zero emissions. There's ample room for your luggage too, as the hybrid battery takes up minimal space beneath the boot floor.

* For the Eco grade.



THE NEW IS F SPORT

DYNAMIC RESPONSE

SPORT S+ MODE ON THE IS 300h F SPORT RETUNES ADAPTIVE VARIABLE SUSPENSION AND POWER STEERING FOR A MORE DYNAMIC DRIVE.

Unmistakably bold, the IS 300h F SPORT features exclusive 18-inch alloys, F SPORT grille and LED fog lights. Inside, you're greeted by amazing LFA-style instruments. A distinctive F SPORT steering wheel, exclusive 'Dark Rose' leather sports seats, aluminium pedals and metallic inlays complete the interior. With steering and suspension engineered for extra responsiveness, the IS 300h F SPORT delivers new levels of control and driving enjoyment.

INSTRUMENTAL CHANGE

INTERACT USING INSTRUMENTS INSPIRED BY THE LFA SUPERCAR, AND ADJUST DRIVING DYNAMICS WITH DRIVE MODE SELECT.

The new IS 300h F SPORT features a stunning single combination meter with dynamic radial graphics inspired by the Lexus LFA. This uses digital technology originally developed to display the lightning-fast revving peaks of our V10 supercar. After a unique start-up sequence, the appearance of the combination meter changes according to the driving mode selected. Using Drive Mode Select - conveniently positioned on the central console - you can choose between ECO for maximum efficiency, or SPORT S and SPORT S+ for dynamic responsiveness. You can also select EV (Electric Vehicle) mode to drive in near silence using no petrol and producing zero emissions.



FOREFRONT OF PROTECTION

EIGHT AIRBAGS PROTECT OCCUPANTS IN A COLLISION, WHILE AN INNOVATIVE BONNET HELPS REDUCE PEDESTRIAN INJURIES.

Equipped with our latest Vehicle Dynamics Integrated Management and powerful ventilated disc brakes, the new IS 300h is engineered to avoid danger. Evidenced by a Euro NCAP 5-star 'maximum score' rating, in the event of a collision you are protected by an incredibly strong passenger safety cell, that makes extensive use of high-tensile steel. Enhancing safety even further, the new IS 300h features Whiplash Injury Lessening front seats and eight airbags. Additionally, should sensors mounted in the front bumper detect a collision with a pedestrian, the bonnet is raised automatically to the optimum angle to help reduce the risk of injury.





THE NEW IS LEXUS QUALITY

TAKUMI CRAFTSMANSHIP

PRODUCTION IS OVERSEEN BY 'TAKUMI' MASTER CRAFTSPEOPLE, WHO ALSO INSPECT EACH IS SEDAN BEFORE THE FINAL 30 KM TEST DRIVE.

Built at our award-winning Tahara plant, by the same Lexus teams that assemble the LS flagship sedan, the new IS 300h completely redefines build quality for this kind of luxury car. You'll sense it when you first touch the precision-machined aluminium controls of the Mark Levinson® audio, or feel the beautifully finished steering wheel in your hands. Outside, impeccable paintwork is wet-sanded by hand after each foundation coat (a time-consuming process normally reserved for coach-built cars) and checked by eye as well as digitally to ensure a perfect surface.





ECO PIONEER

BREAKING NEW GROUND IN LOW EMISSION DRIVING, THE IS 300h SEDAN LETS YOU CALCULATE THE MOST ECOLOGICAL ROUTE.

The new IS 300h has the cleanest and most efficient Full Hybrid drivetrain in its class, with breakthrough GreenEdge™ audio and LED lights reducing overall energy consumption even further. An innovative new navigation system lets you select routes that require less fuel and create fewer emissions. Bio-sourced materials are available for the first time too, as are options like an inlay made from indigenous, Japanese bamboo. At the end of its life, up to 85% of every IS 300h can be recycled, including the hybrid battery.



TECHNOLOGY & SPECIFICATIONS

Lexus Hybrid Drive	34 - 37
Dynamic Performance	38 - 39
Advanced Safety	40 - 41
Exterior / Interior Features	42 - 43
Audio and Multimedia	44 - 45
F SPORT	46 - 47
Technical Data	48 - 49
Standard / Additional Equipment	50 - 51
Options and Packs	52 - 53
Accessories	54 - 55
Interior Combinations	56 - 59
Exterior Colours	60 - 61
Lexus Care	62 - 63



FULL HYBRID TECHNOLOGY

In 2004, Lexus became the first premium carmaker to perfect Full Hybrid technology. Since then, over 650,000 Lexus hybrid models have been sold. The IS 300h's second-generation Lexus Hybrid Drive delivers refined power with outstanding fuel efficiency and exceptionally low emissions – zero when in EV (Electric Vehicle) mode. More information: www.lexus.eu/hybrid



2.5-LITRE PETROL ENGINE

Equipped with innovative D-4S direct injection and dual VVT-i valve control, this highly efficient 'Atkinson Cycle' 4-cylinder engine forms the heart of the IS 300h's Full Hybrid powertrain. Start/Stop technology and exhaust heat recycling help reduce fuel consumption and emissions even further.



INTELLIGENT HYBRID TECHNOLOGY

No larger than a conventional automatic transmission, Lexus Hybrid Drive's electric motor, generator and power split mechanism are all housed in one highly compact hybrid transmission. Energy flows are managed by an advanced Power Control Unit – often referred to as the 'brain' of Lexus Hybrid Drive – that constantly optimises the allocation of power resources – electric, petrol or a combination of both. Occupying minimum room, resulting in a practical boot, the nickel-metal hydride battery provides high power output in relation to its weight. It does not require recharging from an outside power source, or periodical replacement.



EV (ELECTRIC VEHICLE) MODE

With sufficient battery charge, EV mode lets you drive at lower speeds over shorter distances using electric power only. EV mode is near silent, emissions-free and consumes no fuel. This is ideal, for instance, when driving in heavy city traffic or enclosed car parks.



REGENERATIVE BRAKING

When braking or decelerating, the rear wheels drive the high-output electric motor so that it functions as a generator. Kinetic energy – which would otherwise be lost as heat – is then captured and converted into electric power. This is stored in the hybrid battery for later use.



CLASS-LEADING HYBRID PERFORMANCE

The all-new IS 300h delivers 223 DIN hp of super smooth power that lets you accelerate from 0 to 100 km/h in just 8.3 seconds. Amazingly, the combined CO₂ emissions of this powerful sports sedan are just 99 g/km* and fuel consumption is only 4.3 l/100 km*.

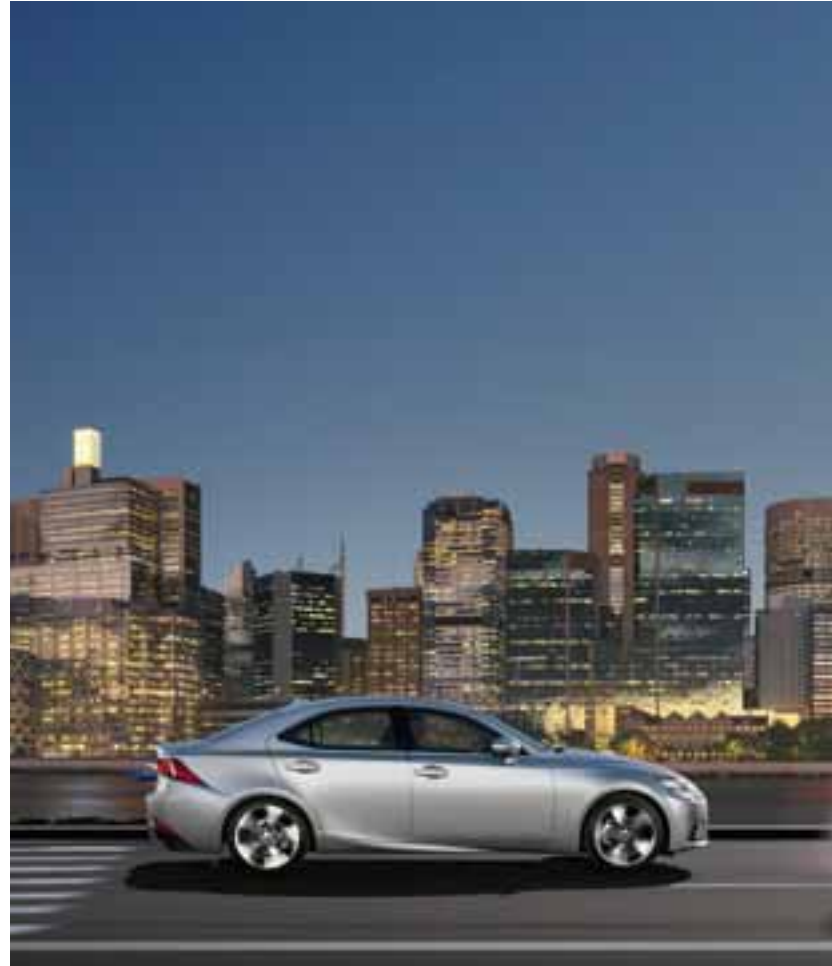
* For the Eco grade.

EXPERIENCE LEXUS HYBRID DRIVE



START UP, DRIVING OFF

When starting off, the electric motor propels the IS 300h up to around 65 km/h, with electric power being supplied from the hybrid battery. At this point the sedan is almost silent, uses no petrol and produces zero emissions.



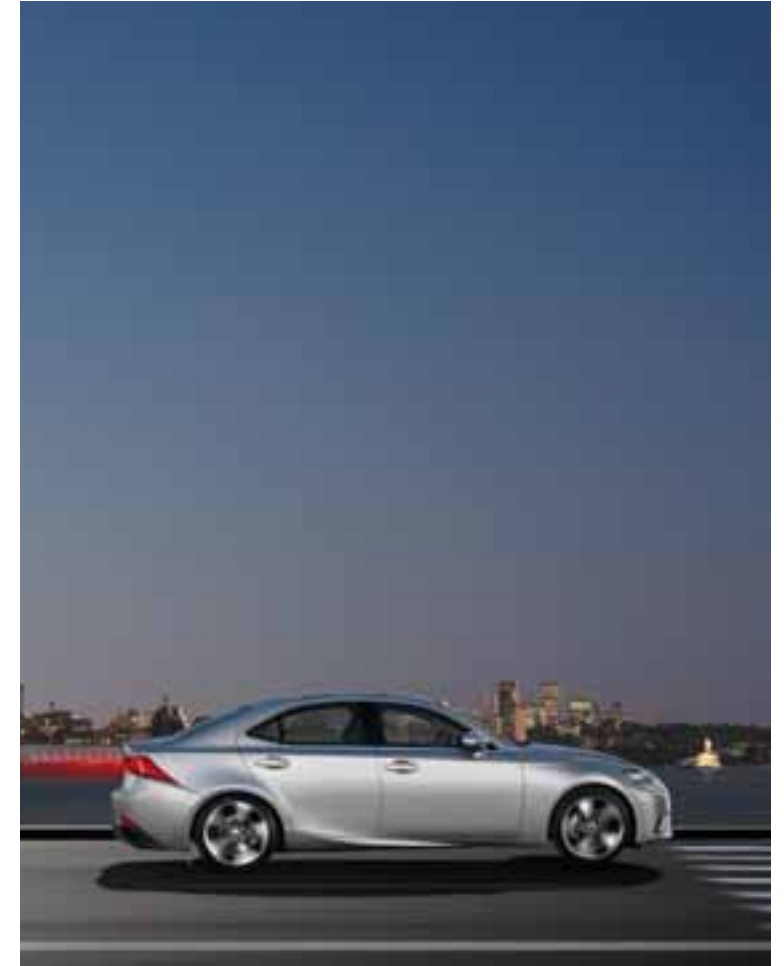
NORMAL DRIVING CONDITIONS

At speeds above 65 km/h the petrol engine cuts in, almost silently, but still receives assistance from the electric motor when required. Through the near perfect distribution of its dual power sources, Lexus Hybrid Drive provides exceptional driving comfort – together with lower emissions and fuel consumption.



FULL THROTTLE ACCELERATION

Accelerate powerfully and the electric motor instantaneously supplements the 2.5-litre petrol engine. This delivers a surge of torque to provide smooth, powerful linear acceleration precisely when you need it.



DECELERATION, STOPPING, BRAKING

When decelerating or coming to a halt, the petrol engine turns off, cutting emissions to zero. Brake, or take your foot off the accelerator, and regenerative braking harnesses the kinetic energy lost in other cars. It converts this into electrical energy for storage in the hybrid battery, which is one reason why you never need to recharge a Lexus Full Hybrid.

DYNAMIC PERFORMANCE

The new IS 300h was tested and refined in the world's most advanced driving simulator - and then on the racetrack. IS Chief Engineer Junichi Furuyama went back to the very fundamentals of how a rear-wheel drive sedan should handle, developing a new chassis, suspension and steering to enhance driving enjoyment, agility and precision.



NEW CHASSIS, ADAPTIVE VARIABLE SUSPENSION

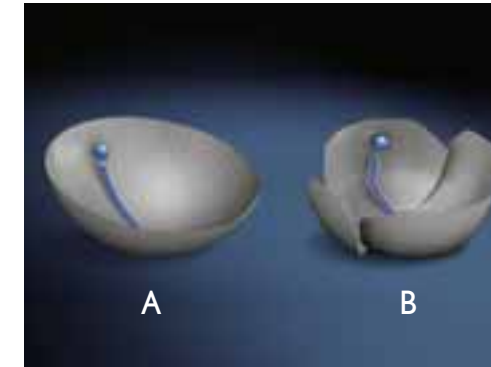
With a completely re-engineered chassis, rear suspension and steering, the new IS 300h is dynamic and engaging to drive. The double wishbone front suspension has been revised while, to the rear, a brand new multi-link rear suspension (based on that of the much acclaimed GS performance sedan) enhances straight-line

performance and cornering grip. For an even more dynamic drive, Adaptive Variable Suspension - available as an option on the IS 300h F SPORT - intelligently controls the damping force on all four wheels. This not only improves ride comfort, but also increases handling stability - especially during higher-speed cornering.



SPORTIER DRIVING POSITION

From a lower and sportier driving position, you'll really 'feel' the road surface through the new steering set-up and sense how the car responds to the slightest steering input.



VEHICLE DYNAMICS INTEGRATED MANAGEMENT

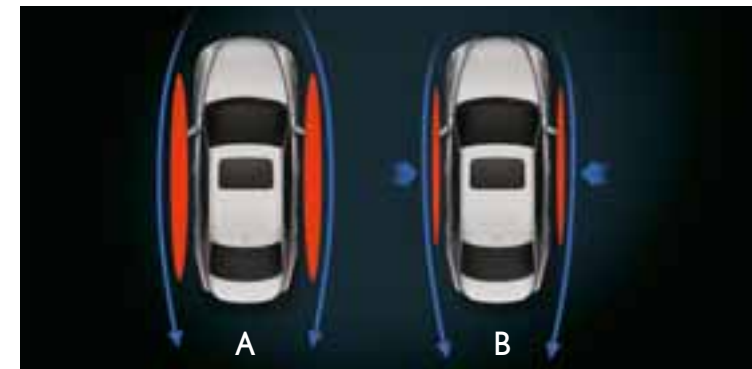
State-of-the-art Vehicle Dynamics Integrated Management (VDIM) is fitted as standard to the new IS 300h. This enables all of the car's stability and control systems to work together, ensuring a level of intervention that's much more refined than if these systems acted independently of one another.

A. With VDIM. Dynamic control systems work smoothly together.
B. Without VDIM. Dynamic control systems working independently.



DRIVE MODE SELECT

Vehicle performance can be fine-tuned using Drive Mode Select. ECO mode reduces emissions and conserves fuel while, for everyday driving, NORMAL provides an ideal balance of power, economy and ride comfort. For enhanced drivetrain responsiveness, simply switch to SPORT mode.



ADVANCED AERODYNAMICS

The new IS 300h has superb aerodynamics, thanks to details like a near-flat underbody and tiny winglets on the front door pillars and rear lights. First seen on F1 racing cars, these winglets create air vortices (see B in diagram) that help pull the airstreams inwards to improve the way the IS 300h cuts through the air. This not only enhances stability and handling, but also improves fuel efficiency and reduces wind noise.

A. Without aerodynamic winglets
B. With aerodynamic winglets



CHASSIS RIGIDITY

Breakthrough laser screw welding and adhesive bonding techniques have significantly increased the rigidity of the new IS 300h. This, combined with the extensive use of lightweight materials, has produced a sedan that offers a tangible sense of enjoyment and rewards driver input with extremely precise handling.

ADVANCED SAFETY

The new IS 300h sedan is equipped with our latest Vehicle Dynamics Integrated Management, and is available with advanced Pre-Crash Safety technology. Pioneering driver support systems include Automatic High Beam, Lane Departure Alert, Blind Spot Monitor and Rear Cross Traffic Alert.



■ PRE-CRASH SAFETY / LANE DEPARTURE ALERT / AUTOMATIC HIGH BEAM

Millimetre-wave radar and an on-board computer calculate collision risk ahead. If the risk is high, the driver is alerted by audible and visual warnings and brake pressure is increased. When a collision is deemed unavoidable, the brakes will be applied automatically as necessary and the front seatbelts tightened. Adaptive Cruise Control uses the same radar technology to maintain a set distance to the vehicle

ahead. A camera mounted behind the rear-view mirror enables Lane Departure Alert to warn you if you inadvertently drift out of lane. Automatic High Beam uses the same camera at night to automatically switch to low beam when it detects the lights of either an oncoming or preceding vehicle.

■ Available as an option, part of a pack or standard on specific grade(s).



EIGHT AIRBAGS

In addition to an immensely strong passenger safety cell, occupant protection is provided by eight airbags. The driver and front passenger are protected by 2-stage head airbags, as well as knee and side airbags. Curtain shield airbags run the full length of both cabin sides. All seatbelts, except for the centre rear seat, are also specified with pre-tensioners. This exceptional level of safety protection is provided as standard in the new IS 300h.



POP UP HOOD

The new IS 300h features an impact-absorbing pop up hood. Activated by sensors mounted in the front bumper, should you collide with a pedestrian, the system slightly raises the level of the bonnet to give more space between it and the hard components of the engine underneath. This reduces the risk of injuries to the pedestrian.



■ BLIND SPOT MONITOR

Radar devices mounted in the rear bumper detect vehicles in adjacent lanes that are not visible in the door mirrors. If the driver is indicating to change lane and a vehicle enters the blind spot, the Blind Spot Monitor instantly activates a warning signal in the relevant door mirror.

■ Available as an option, part of a pack or standard on specific grade(s).



■ REAR CROSS TRAFFIC ALERT

When reversing, for instance in a busy car park, Rear Cross Traffic Alert (RCTA) uses Blind Spot Monitor radar to detect vehicles approaching the difficult-to-see area behind the vehicle. When a vehicle is detected, the RCTA function alerts you with a visual display in the door mirrors and a buzzer.



EURO NCAP 5-STAR RATING

Providing realistic and independent assessment of the safety performance of cars sold in Europe, the new IS 300h has been awarded the 2013 Euro NCAP five-star rating. Its score was well above the minimum required to achieve five stars, and ranks the new IS 300h amongst the very safest vehicles in the premium segment.

EXTERIOR / INTERIOR FEATURES



16" ALLOY WHEELS

5-wide-spoke design, with 205/55 R16 tyres. (Standard on Eco and Comfort grades.)



17" ALLOY WHEELS

5-twin-spoke design, with 225/45 R17 tyres. (Standard on Executive, Executive Plus and Luxury grades. Option on Comfort grade.)



LED HEADLIGHTS

The new IS 300h is available with LED headlights, while all models have distinctive L-shaped LED daytime running lights integrated into the front bumper. Energy-saving LED technology provides outstanding illumination and reliable, long-life performance.



DRIVING COMFORT

The IS 300h showcases a spacious new interior, rich in the refinement and quality for which Lexus is legendary. The driving position is sportier and more focused, while the newly designed front seats offer greater comfort and better lateral support.



TOUCH-SENSITIVE CONTROLS

For the first time in a Lexus, electrostatic controls let you adjust the temperature in the IS 300h sedan using a sweep of your fingertip.



18" ALLOY WHEELS

5-medium-spoke design with 225/40 (front) and 255/35 (rear) R18 tyres. (Option on Luxury grade.)



17" WINTER ALLOY WHEELS

Lexus winter wheels are designed to equip your IS for poor driving conditions while also preserving its prestige appearance.



18" ALLOY WHEELS

The black chrome finish and high performance 5-double-spoke design create an unmistakable look of urban sophistication.



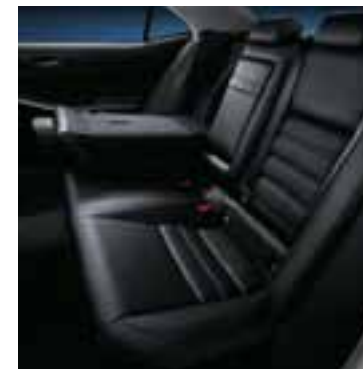
18" ALLOY WHEELS

Underlining your sedan's dynamic personality, this sports inspired multi-spoke design features an eye-catching metallic finish.



XENON HEADLIGHTS

Auto-levelling High Intensity Discharge xenon headlights with high-pressure cleaners and LED daytime running lights are standard on the new IS 300h.



60:40 FLEXIBILITY

A practical 60:40 split folding rear seat comes standard* on most IS 300h models, which allows easy stowage of larger items.



REAR SEATS LOWERED

Offering the convenience of an estate car, but with the grace and refinement of a sedan, with all rear seats folded down* there's room to carry far bulkier objects.



LUGGAGE SPACE

With the new IS 300h, an extended wheelbase and compact new suspension result in excellent luggage space (up to 450 litres). Enough for three sets of golf clubs and two small sports bags, or four medium sized suitcases.

■ Available as an option, part of a pack or standard on specific grade(s).
○ Available as an accessory.

* Please note: 60:40 split-folding rear seat is standard on all versions of the new IS 300h, with the exception of the Eco grade for which it is available as an option.

AUDIO AND MULTIMEDIA



■ 15-SPEAKER MARK LEVINSON®

The IS 300h can be ordered with a peerless Mark Levinson® Premium Surround system that delivers a true live concert experience when listening to music or watching a DVD. Fifteen bespoke speakers, each individually tuned, produce incredible 5.1-channel digital surround sound. Innovative GreenEdge™ technology in each speaker also means twice the sound for the same energy consumption, while a new 'Auto Volume System' lets you enjoy music to the full, by automatically adjusting the sound level when you switch between different artists and recordings. Beautifully finished, precision-machined aluminium controls and a black gloss finish reflect the design of Mark Levinson® world-class home audio systems.



■ MULTI-INFORMATION DISPLAY

Positioned between the two main dials, the 4.2-inch high-resolution display provides a wide range of vehicle information and data. For instance, the titles of songs you are listening to, navigation directions, or when your smartphone is connected, the name, photograph and phone number of the person calling you.



○ LEXUS HOTSPOT

Lexus Hotspot turns your IS into a mobile WiFi hotspot. When in a 2G/3G area, it enables connection for up to five devices such as tablets, phones and laptops and supports in-car interaction between them. The system uses a SIM card of your choice and wires into the crossover's electrics for constant power.



■ STANDARD CENTRE CONSOLE

The new IS 300h comes as standard with a 7-inch display screen operated by a rotary dial. The display enables control of systems such as audio and climate, or viewing the energy monitor. The centre console also contains the head unit for the audio system. It features an AM/FM tuner, Bluetooth® audio/phone connectivity, Gracenote® technology and CD player. Two USB ports and an AUX socket are conveniently located in the centre console box.



■ ROTARY DIAL

A rotary control dial on the centre console enables the driver or front seat passenger to operate the main systems and 7-inch display in the new IS 300h.



■ REMOTE TOUCH

Next-generation Remote Touch, with single press confirmation, lets users interact intuitively with the central multimedia display. Ergonomically designed, Remote Touch is close at hand and as easy to use as a computer mouse.



■ LEXUS NAVIGATION

Integrates with your car's media display to provide intuitive pan-European navigation. Features include maps with 3D graphics, speed limit notification, lane guidance and RDS-TMC traffic information.



■ LEXUS PREMIUM NAVIGATION

The 7-inch screen is operated by Remote Touch or voice commands. With vivid 3D graphics and many mapping options, once parked, the system generates a QR code for your smartphone, with directions by foot to your final destination.



■ LEXUS CONNECTED SERVICES

The IS 300h offers next-generation services like Online Search, Google Street View®, Panoramio® or Connected Traffic. For extra convenience you can even forward a route from your laptop or tablet to your car's navigation system.



■ PARKING ASSIST MONITOR

Engage reverse and the view behind the car is relayed to the standard 7-inch display. With the upgraded multimedia technology specified, on-screen guides are additionally displayed to assist parking.

■ Available as an option, part of a pack or standard on specific grade(s).

○ Available as an accessory.

■ Available as an option, part of a pack or standard on specific grade(s).

F SPORT

Developed by the team that tuned the LFA supercar and IS F high performance sedan, the new IS 300h F SPORT model carries the spirit of these two amazing cars. The IS 300h F SPORT sedan is exclusively designed and dynamically enhanced and can also be specified with the option of Adaptive Variable Suspension and SPORT S+ mode for exceptionally engaging performance.



F SPORT DESIGN

The new IS 300h F SPORT is unmistakably dynamic, with a bold and distinctive front spindle grille, special 'L-mesh' inserts, and chrome highlights. The lower front spoiler features front brake cooling ducts, aerodynamic fins for increased down-force, and a larger lower grille opening. Exclusive LED front fog lights are available as an option.



SPORTS SEATS

An exclusive new F SPORT seat design makes the first use of 'integrated foaming' technology in a Lexus. This motorsport-inspired production technology allows a more detailed seat profile, and better fit and hold than is possible with conventional upholstery methods.



F SPORT WHEELS / SUSPENSION

18-inch alloy wheels feature a twin-spoke design inspired by the LFA. Both the front and rear suspension and Electric Power Steering are exclusively tuned for the IS 300h F SPORT, to enhance handling performance without compromising ride quality.



18" F SPORT ALLOY WHEELS

A highly distinctive sports design characterised by 5 bold spokes and a metallic finish.



19" F SPORT ALLOY WHEELS

The powerful 9-twin-spoke design is further enhanced by an anthracite finish.



19" F SPORT FORGED ALLOY WHEELS

Finished in anthracite, this 5-twin-spoke forged design enhances strength and rigidity while also reducing weight.



F SPORT BADGE

Although discreet, the F SPORT logo is a badge of distinction. The 'F' refers to the birthplace and primary testing site of our high-performance F SPORT cars: Fuji Speedway, located near Mount Fuji.



F SPORT STEERING WHEEL

Featuring the F SPORT logo, you'll sense a special kind of connectedness every time you take this wheel in your hands. Finished in perforated leather, the F SPORT gearshift design matches the steering wheel to create an exciting sports ambiance.



F SPORT INSTRUMENTS

This stunning single meter has innovative Thin Film Transistor technology and a moving centre ring design inherited from the LFA supercar. The dial illumination colour can be selected from blue, white or red. When operating the multimedia system, the meter ring slides to one side to reveal the menu.



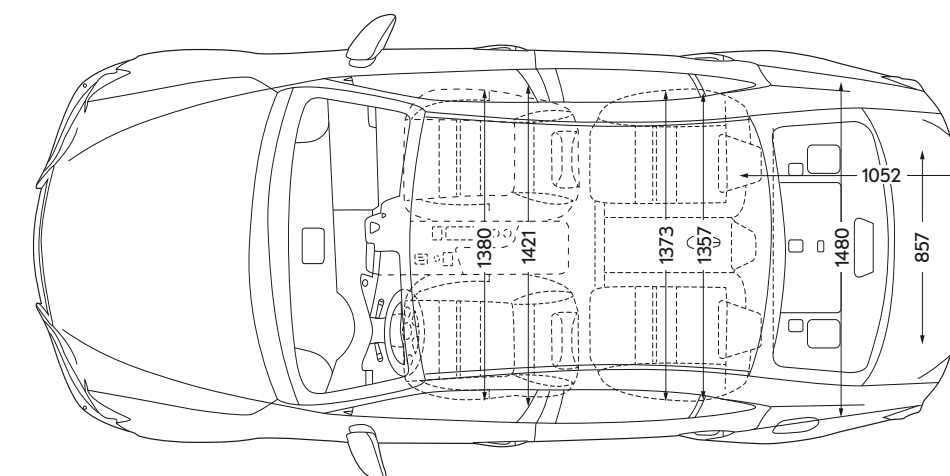
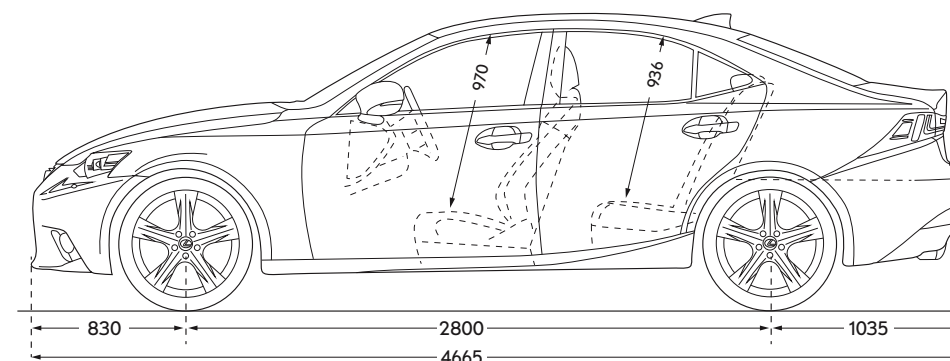
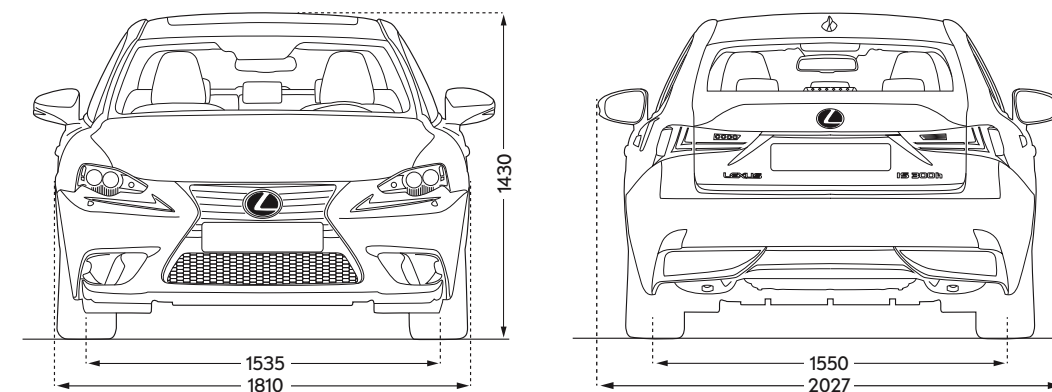
DRILLED SPORT PEDALS

Offering excellent grip characteristics, drilled aluminium pedals reflect the motorsport design heritage of the new IS 300h F SPORT.

TECHNICAL DATA

MAXIMUM OUTPUT	
DIN hp / kW	223 / 164
ENGINE	
Capacity (cm ³) / Cylinders / Valves	2494 / L4 / 16
Valve mechanism	Dual VVT-i
Fuel type / Octane rating	Petrol / 95 or +
Max. power (DIN hp / kW @ rpm)	181 / 133 @ 6000
Max. torque (Nm @ rpm)	221 @ 4200 - 5400
ELECTRIC MOTOR	
Type	AC synchronous, permanent magnet
Max. output (DIN hp / kW)	143 / 105
Max. torque (Nm)	300
HYBRID BATTERY	
Type	Nickel-Metal Hydride (Ni-MH)
No. of cells / System voltage (V)	192 / 650
TRANSMISSION	
Driven wheels	Rear-wheel drive
Transmission	Electronic-Continuously Variable Transmission
PERFORMANCE	
Max. speed (km/h)	200
0-100 km/h (s)	8.3 / 8.4 ¹

CO ₂ EMISSIONS* (g/km)	
Emissions level	Euro 5
Combined	99 / 101 / 103 / 109 ²
FUEL CONSUMPTION* (l/100 km)	
Combined	4.3 / 4.3 / 4.4 / 4.7 ²
BRAKES	
Front	Ventilated discs
Rear	Ventilated discs
SUSPENSION	
Front	Double wishbone
Rear	Multi-link
STEERING	
Type	Rack and pinion
Turns (lock to lock)	2.84
Min. turning radius (m)	5.2
WEIGHTS (kg)	
Gross vehicle	2130 / 2145 ¹
Kerb (min. - max.)	1620 - 1680 / 1720 ¹
Towing (max. with / without brakes)	750 / 750 ³
DRAG COEFFICIENT	
Cd value	0.25 / 0.26 ¹
CAPACITIES (l)	
Fuel tank	66
Luggage compartment	450



¹ 1st figure is for Eco grade specified with 16" alloy wheels. 2nd figure is for all other grades, irrespective of alloy wheel size.

² Figures differ by grade and alloy wheel size. 1st figure is for Eco grade with 16" alloy wheels. The remaining figures are for all other grades and differ by alloy wheel size.

³ 2nd figure is with 16" alloy wheels. 3rd figure is with 17" alloy wheels. 4th figure is with 18" alloy wheels.

³ Does not apply to standard specification Eco grade. Applies to all other grades and Eco grade optionally specified with towing capability.

* The fuel consumption and CO₂ values are measured in a controlled environment, in accordance with the requirements of Directive 80/1268/EEC incl. its amendments, on a vehicle with European Standard equipment. For further information, or if you are interested in purchasing a vehicle with European Standard equipment, please contact your Lexus Authorised Importer.

The fuel consumption and CO₂ values of your vehicle may vary from those measured. Driving behaviour as well as other factors (such as road conditions, traffic, vehicle condition, tyre pressure, installed equipment, load, number of passengers, etc) play a role in determining a car's fuel consumption and CO₂ emissions.

Please note: further Technical Data, including any updates, can be found at www.lexus.eu

Please note: the dimensions illustrated above are measured in millimetres.

STANDARD EQUIPMENT FOR ALL GRADES

ACTIVE SAFETY AND DRIVING DYNAMICS

Active brake lights
Braking, stability, steering and traction systems¹
- ABS / BAS / EBD / ECB-R / EPS / TRC / VSC
Drive Mode Select
- ECO / NORMAL / SPORT
EV (Electric Vehicle) mode
Hill-start Assist Control (HAC)
Tyre Pressure Warning System (TPWS)
Vehicle Dynamics Integrated Management (VDIM)

PASSIVE SAFETY

8 airbags in total
- driver and front passenger; head, side and knee
- cabin sides; full-length curtain shield
Airbag cut-off switch, front passenger
Audible and visual front seatbelts reminder
ISOFIX attachment, outer rear seats
Pop Up Hood (PUH)
Seatbelt pre-tensioners, front and rear outer seats
Whiplash Injury Lessening (WIL) front seats with active headrests

EXTERIOR

Door mirrors
- electrically adjustable and heated
- integral turn signal indicators and puddle lights
High Intensity Discharge (HID) xenon headlights
- auto-levelling with high-pressure cleaners
Laser-brazed roof structure
Light Emitting Diode (LED)
- daytime running lights
- fog lights, front² and rear
- rear combination light
Paintwork with 'self-restoring coat'
Ultra Violet (UV) and heat insulating tinted glass
Water-repellent glass, front door windows
Wheel arches, rear with hemming treatment

SECURITY

Anti-theft system
- immobiliser / intrusion sensor / siren
Auto door locking
Double door lock

AUDIO, COMMUNICATION AND INFORMATION

4.2" colour multi-information display
Analogue clock with white LED illumination
Bluetooth® mobile phone and audio connectivity
Dual instrumentation
Lexus Media Display
- 7" display screen operated by rotary dial
- 6-speaker audio system with Gracenote®
- AM/FM tuner
- antenna for tuner incorporated within rear screen
- in-dash, single-slot CD player
Optitron instrumentation
Power meter
Steering wheel mounted controls
- audio / display / phone / voice
Two USB ports and AUX socket

INTERIOR COMFORT AND CONVENIENCE

12 V socket
Active Sound Control
Electrically operated windows, front and rear
Front centre armrest and storage box
Illuminated entry system
Push start button
Tyre repair kit

ADDITIONAL EQUIPMENT BY GRADE

ECO

(In addition to standard equipment)

3-spoke, leather trimmed steering wheel
- manually multi-adjustable / paddle shift controls
16" alloy wheel, 5-wide-spoke design
- 205/55 R16 tyres
Electronic climate control
- 1-zone / clean air filter with active pollen removal mode
- touch-sensitive, electrostatic temperature control
Fabric / Tahara trim, seat upholstery
Front seats, manually adjustable
- 6-way adjustment (driver and passenger)
Inlays, black metallic paint
Rear seats, fixed
Rear-view mirror, manual dimming adjustment
Resin scuff plates, front and rear doors
Shift lever, part trimmed in leather

COMFORT

(In addition / different to Eco)

Rear centre armrest
Rear seat bench, 60:40 split-folding
Towing capability

EXECUTIVE

(In addition / different to Comfort)

17" alloy wheels, 5-twin-spoke design
- 225/45 R17 tyres
Cruise control
Electronic climate control
- 2-zone with S-Flow technology
Rain sensing windscreen wipers
Rear-view mirror, electro chromatic (auto-dimming)

EXECUTIVE PLUS

(In addition / different to Executive)

Front seats, electrically adjustable
- 8-way adjustment (driver and passenger)
Heated front seats
Leather seat upholstery
Lumbar support, electrically adjustable
- 2-way (driver)
Parking assist sensors, front and rear

F SPORT

(In addition / different to Executive Plus)

18" alloy wheels, F SPORT design
- 225/40 (front) & 255/35 (rear) R18 tyres
Fabric / Tahara trim, seat upholstery exclusively in black
F SPORT, exclusive exterior features¹
- accentuated spindle grille design
- aerodynamically enhanced front bumper
- distinctive L-mesh grille
- side logos
F SPORT, exclusive interior features
- aluminium scuff plate with LEXUS inscription, front doors
- drilled aluminium sport pedals
- inlays, silver metal film
- perforated leather trim for steering wheel and gearshift
- single, dynamic meter (LFA inspired)
- steering wheel embossed with F SPORT logo
Front seats, F SPORT design
- accentuated sport design
- increased lateral support
- integral foam construction (unique to Lexus)
Integral knee pads for front centre console
Without parking assist sensors, front and rear

LUXURY

(In addition / different to Executive Plus)

Aluminium scuff plate, front doors
Door mirrors
- electrically folding
- electro chromatic (auto-dimming)
Inlays, choice of wood styles
Integral knee pads for front centre console
Memory (3 pre-sets)
- driver's seat, steering wheel and door mirrors
Smart entry system
Steering wheel, electrically multi-adjustable
Ventilated front seats

¹ ABS = Anti-lock Braking System / BAS = Brake Assist System / EBD = Electronic Brake-force Distribution / ECB-R = Electronically Controlled Braking-Regeneration / EPS = Electric Power Steering / TRC = Traction Control / VSC = Vehicle Stability Control

² Front fog lights are not specified on F SPORT as standard. Exclusive LED front fog lights are available on F SPORT as an option.

¹ Front fog lights are not specified on F SPORT as standard. Exclusive LED front fog lights are available on F SPORT as an option.

OPTIONS AND PACKS

OPTIONS	ECO	COMFORT	EXECUTIVE	EXECUTIVE PLUS	F SPORT	LUXURY
2 climate zones with S-Flow ¹	o	o	s	s	s	s
17" alloy wheels, 5-twin-spoke (225/45 R17 tyres)	–	o	s	s	–	s
18" alloy wheels, 5-medium-spoke (225/40; front & 255/35; rear R18 tyres)	–	–	–	–	–	o
Adaptive Variable Suspension (AVS)	–	–	–	–	o	–
Card key and smart entry system	o	o	o	o	o	o ²
Cruise control	o	o	s	s	s	s
Glass sunroof, electric tilt/slide	o	o	o	o	o	o
Heated front seats	o	o	o	s	s	s
Heated steering wheel and front seats	o	o	o	o ³	o ³	o ³
Lexus Navigation	o	o	o	o	o	o
Light Emitting Diode (LED) front fog lights	s	s	s	s	o	s
Light Emitting Diode (LED) headlights	o	o	o	o	o	o
Parking assist sensors, front and rear	o	o	o	s	o	s
Rear seats, 60:40 split folding	o	s	s	s	s	s
Rear-view monitor	o	o	o	o	o	o
Smart entry system	o	o	o	o	o	s
Sunshade, electric for rear window	–	–	o	o	o	o
Towing capability ⁴	o	s	s	s	s	s
Tuner additionally with DAB technology	o	o	o	o	o	o

PACKS	ECO	COMFORT	EXECUTIVE	EXECUTIVE PLUS	F SPORT	LUXURY
Multimedia, Comfort & Driver Assist						
Navigation plus & Audio upgrade (Pack 1)	o	o	o	o	o	o
Navigation plus & Mark Levinson [®] upgrade (Pack 2)	–	–	–	–	o	o
Leather plus (Pack 3)	–	–	–	– ⁵	o	s
Blind spot monitor plus (Pack 4)	–	–	–	–	–	o
Multimedia, Comfort & Driver Assist - Combinations						
Packs 1, 3 & 4	–	–	–	–	o	–
Packs 2, 3 & 4	–	–	–	–	o	–
Packs 2 & 4	–	–	–	–	–	o
Packs 3 & 4	–	–	–	–	–	o
Advanced Safety & Driver Assist						
Pre-Crash Safety (PCS)	o	o	o	o	o	o
Lane Departure Alert (LDA) & Automatic High Beam (AHB)	–	–	o	o	o	o
Lane Departure Alert (LDA) with LED headlights & AHB	–	–	o	o	o	o

– = not available / o = available to order as an option or a pack at extra cost / s = standard

¹ For the Eco and Comfort grades, 1 climate zone is standard with the option to upgrade to 2 climate zones with S-Flow, which is standard on all other grades.

² Luxury grade is specified with smart entry system as standard. For this grade, only the card key is included with the option.

³ Executive Plus, F SPORT & Luxury grades are specified with heated front seats as standard. For these grades, only the heated steering wheel is included with the option.

⁴ Specifying this option ensures the IS 300h Eco grade is capable of towing up to 750 kg. It does not include a tow-bar or other towing equipment.

⁵ Executive Plus grade is specified as standard with leather seat upholstery, although it does not include all of the additional items of the leather plus pack.

Please note: not all options and packs are available in all countries. Also, certain options and/or packs may need to be ordered in combination with one another or cannot be ordered together. Please consult your local Lexus Authorised Retailer for further information regarding options and/or packs availability in your country.

MULTIMEDIA

Navigation plus & Audio upgrade (Pack 1)

8-speaker, DAB audio system, additionally with Dolby[®] digital

Antenna, shark fin design

Electro multi-vision display

In-dash, single-slot CD/DVD player

Lexus Premium Navigation with Lexus Connected Services¹

- Digital Terrain Model / Route Trace Registration

- Ecological Route / Speed Camera Guidance

- Online Search / Google Street View[®] / Panoramio[®]

- Send Route to Car / Connected Traffic / Traffic Bar

- Urgent Traffic Event Notification / QR Code of destination

Parking assist monitor with on-screen guides²

Remote Touch operation

Navigation plus & Mark Levinson[®] upgrade (Pack 2)

Audio upgraded from 8-speaker version to:

15-speaker Mark Levinson[®] entertainment system

Contents of pack 1 (see above)

COMFORT & DRIVER ASSIST

Leather plus (Pack 3)

Door mirrors

- electrically folding

- electro chromatic (auto-dimming)

Front passenger seat, electrically adjustable

- 8-way adjustment

Leather seat upholstery

Memory (3 pre-sets)

- driver's seat, steering wheel and door mirrors

Steering wheel, electrically multi-adjustable

Ventilated front seats

Blind spot monitor plus (Pack 4)

Blind Spot Monitor (BSM)

Rear Cross Traffic Alert (RCTA)

Rear-view monitor

ADVANCED SAFETY & DRIVER ASSIST

Pre-Crash Safety (PCS)

Adaptive Cruise Control (ACC)³

PCS system with millimetre-wave radar

Lane Departure Alert (LDA) & Automatic High Beam (AHB)

Automatic High Beam (AHB)

Lane Departure Alert (LDA)

LDA with LED headlights & AHB

Automatic High Beam (AHB)

Lane Departure Alert (LDA)

LED headlights

¹ Please consult your local Lexus Authorised Retailer for details of the Lexus Connected Services which are available in your country.

² This equipment item can be specified as an optional addition to these packs. It also replaces the rear-view monitor where applicable.

³ Operates from 40 km/h.

ACCESSORIES



HOLDER FOR iPad®

Slots securely into a Lexus docking device on the rear of a front seat to provide a stable base for passengers to use their tablet and watch content as they travel. Available in powered and non-powered versions.



PORTABLE DVD PLAYER

With its 7" screen, the portable DVD player is perfect for entertaining passengers on long journeys. It slots into a Lexus seat-back docking device and offers comprehensive multimedia compatibility including USB, SD card and smartphone AV input. You can even use it at home with a suitable power adapter. An additional docking device, DVD unit and wireless headphones are available as extras.



REAR BICYCLE HOLDER

A lightweight yet high strength standalone lockable design for safely transporting one or two bicycles. The integral lights and licence plate holder is available with a 7 or 13 pin socket.



ROOF-TOP BICYCLE HOLDER

For use with the Lexus roof rack. The lockable lightweight design has special grips to secure the bicycle wheels and frame. Conveniently, the frame grip can be adjusted at roof height.



ROOF RACK

The lockable lightweight aluminium roof rack is aerodynamically shaped to reduce wind noise. Easy to install and remove, it forms a strong base for the range of optional carrying attachments.



ILLUMINATED SCUFF PLATES

Lexus scuff plates add a stylish design feature while also protecting the door sill paintwork. Their brushed aluminium finish is highlighted by subtle logo illumination.



BOOT LINER

Made of tough, flexible plastic with a non-slip surface pattern and a raised lip around the edges to comprehensively protect the luggage space carpet against mud, dirt, sand and liquids.



TOWING HITCH

Redistributes the pulling and braking forces of towing to minimise stress on the vehicle. 750 kg for hybrid cars, and with a stowable hook that can be folded behind the bumper when not in use. Buffers in the wiring kit shield your car's electrics against faults in the trailer system.



SOCKET ADAPTORS

Connects a towing hitch socket to that of a trailer or bicycle holder if the plugs don't match. Available as 7 pin (car) to 13 pin (trailer), 13 pin (car) to 7 pin (trailer) and 13 pin (car) to 12N-12S double socket (trailer).

INTERIOR COMBINATIONS

FABRIC / TAHARA TRIM¹



Black

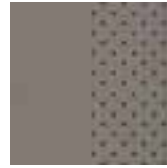


Moon Stone

LEATHER²



Black



Moon Stone



Ivory

F SPORT LEATHER³

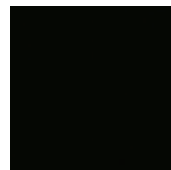


Galaxy Black



Dark Rose

INLAYS⁴



Black, metallic paint



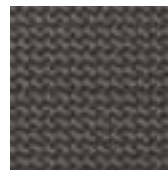
Dark Grey, crafted line wood



Dark Brown, crafted line wood



Bamboo, wood



Silver, metal film

F SPORT INLAY⁵

¹ Fabric / Tahara trim is standard for Eco, Comfort, Executive and F SPORT. The Eco grade with fixed rear seat bench is supplied in Black. With rear seats, 60:40 split folding selected as an option, the Eco grade is also available in Moon Stone. Comfort and Executive are available in Black or Moon Stone, while F SPORT is supplied exclusively in Black.

² Leather is standard for Executive Plus & Luxury.

³ F SPORT leather in a unique design and exclusive colours is optional for F SPORT.

⁴ Black, metallic paint inlay is standard on Eco, Comfort, Executive and Executive Plus. A choice of three wood inlays, as illustrated, is standard for Luxury.

⁵ Silver, metal film inlay is standard on F SPORT.

The images on the following 3 pages illustrate a selection of the interior combinations available. Your local Lexus Authorised Retailer will be pleased to provide you with any further help.

Black fabric / Tahara trim with Black, metallic paint inlays

(Eco, Comfort & Executive)



Moon Stone fabric / Tahara trim with Black, metallic paint inlays

(Eco, Comfort & Executive)



Black leather with Black, metallic paint inlays

(Executive Plus)



INTERIOR COMBINATIONS

Ivory leather with Dark Brown, crafted line wood inlays
(Luxury)



Black fabric / Tahara trim with Silver, metal film inlays
(F SPORT)



Black leather with Bamboo, wood inlays
(Luxury)



Moon Stone leather with Dark Grey, crafted line wood inlays
(Luxury)



Dark Rose leather with Silver, metal film inlays
(F SPORT)



EXTERIOR COLOURS

WHITE PEARL (077)¹



F WHITE (083)²



STARLIGHT BLACK (217)



MORELLO RED (3R1)



MERCURY GREY (1H9)



SATIN SILVER (1J4)



ULTRASONIC BLUE (8U1)²



MIDNIGHT BLUE (8V3)¹



SONIC TITANIUM (1J7)



BLACK (212)³



¹ Not available on F SPORT.
² Exclusive to F SPORT.
³ Solid colour.
Please note: due to printing variances, actual paintwork colours may vary slightly from those illustrated.



LEXUS CARE

At Lexus, we believe in Creating Amazing. This is as true for our service and after-sales programmes as it is for the cars themselves. Throughout your vehicle's life, Lexus Care ensures a first class ownership experience, offering bespoke service and maintenance plans, each designed to provide complete satisfaction and total peace of mind.

Lexus cars are equipped with the world's most advanced technology to provide an amazing 'Omotenashi' (the Japanese spirit of hospitality) experience. Reflecting our unique approach to building cars, we also aim to treat each customer as we would a guest in our home. This world-class service philosophy has led to details like (for example) fresh flowers in handover rooms, spotlessly clean service bays, and a complimentary car wash.

After delivering each new Lexus, we see caring for your car as the equivalent of caring for you, our customer. Lexus Authorised Retailers are committed to delivering the highest level of customer satisfaction. You can catch up on the news with a cappuccino in our comfortable lounge area, or browse the internet at your leisure. Meanwhile, our technicians perform their tasks with optimum efficiency to get you back on the road with minimum interruption to your day.



LEXUS SERVICE

Lexus Service is an invitation for you to entrust the wellbeing of your Lexus to dedicated professionals and an opportunity for us to offer unparalleled levels of care. Exhaustive staff training and continuous career development programmes help provide you with the peace of mind that we're doing our utmost to ensure your Lexus stays in showroom condition.

- Professional Lexus technicians
- Genuine Lexus parts
- Lexus service history protects re-sale value
- Thorough visual safety report
- Lexus service tailored to your needs
- State-of-the-art facilities and equipment



LEXUS WARRANTY

- 3-year or 100,000 km comprehensive warranty
- 3-year surface rust and paintwork warranty
- 12-year corrosion warranty
- 5-year or 100,000 km warranty on certain hybrid components

LEXUS MOBILITY

We want to ensure that you enjoy driving your Lexus anywhere in Europe with complete peace of mind. This is why we provide free Lexus Euro Assistance 24* for the first three years of ownership. This programme ensures your mobility, to take you where you need to go. Part of this could include, for example, towing, hotel accommodation, car hire, repatriation of the vehicle and many more services should your Lexus be immobilised, stolen, or involved in a collision.

* Conditions may vary between countries. Please consult your Lexus Authorised Retailer or Repairer for details.



DISCOVER THE NEW IS 300h

Please contact your nearest Lexus Authorised Retailer for a test drive.

More about the new IS 300h:
www.lexus.eu/newis
www.facebook.com/LexusEurope
www.youtube.com/LexusEurope
www.twitter.com/LexusEurope

© 2014 Lexus Europe* reserves the right to alter any details of specifications and equipment without notice. Details of specifications and equipment are also subject to change to suit local conditions and requirements. Please enquire at your local Lexus Authorised Retailer of any such changes that might be required for your area.

Note: vehicles pictured and specifications detailed in this brochure may vary from models and equipment available in your area. Vehicle body colour might differ slightly from the printed photos in this brochure.

For further information please visit our website: www.lexus.eu

Taking care of the environment is a priority for Lexus. We take many measures to ensure that during the lifecycles of our vehicles - from design, production, distribution, sales and service to end-of-life - their environmental impact is minimised. Your retailer will be happy to provide more information on end-of-life vehicle requirements.

* Lexus Europe is a division of Toyota Motor Europe NV/SA.

Printed in Europe, July 2014

